

TITAN pt. no.: 02 0000 0187

Important: Please read these instructions carefully and completely before starting the installation.

TITAN Fuel Tanks

INSTALLATION GUIDE



Cross-Linked Polyethylene Replacement Tank for FORD Diesel-Fuelled Vehicles

8020011: For 2011- 2016 FORD models F-350, F-450 and F-550 Narrow Frame, Cab and Chassis vehicles.

Replaces the following original FORD equipment part numbers: CC3Z9B210B, CC3Z9002B

Required Tools:

- 1 ea. Ratcheting socket driver
- 1 ea. SET of metric sockets for removal of vehicle straps and brackets etc.
- 1 ea. 12 inch long socket driver extension
- 1 ea. 9/16 inch socket
- 1 ea. Small flat blade screw driver
- 1 ea. Medium flat blade screw driver
- 1 ea. Needle nose pliers
- 1 ea. Torque wrench handle for socket
- 1 ea. Mallet or small hammer

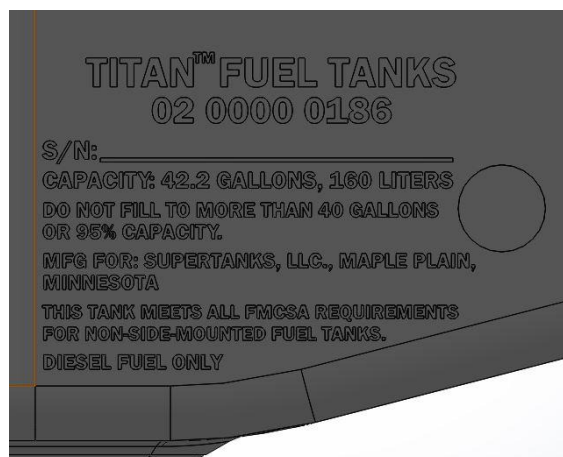
Recommended Optional Tools:

- 1 ea. Impact wrench

**8020011 After-axle, Heavy Duty Cross-Linked Polyethylene Replacement Tank
Parts List:**

1 ea. 02 0000 0186 Extra heavy-duty, 40* gallon, cross-linked polyethylene (XLHDPE) fuel tank

Part Identification: Name "TITAN™ FUEL TANKS" appears on the driver's side of the of the tank body.
The number "02 0000 0186" appears below the Lettering (See Fig. 1).



(Fig. 1) Identifying text on side of the tank.

Note: Please check, before beginning to be sure the tank is properly identified as the one to fit your vehicle.

The following parts (Sending Unit Mounting Assembly) should already be installed on the tank.

1 ea. Sending Unit Mounting Assembly, consisting of:

2 ea.	01 0000 0137	GM/FORD, Sending Unit, ½ Bottom Flange, stainless steel, with 3/8" studs (mounted inside tank).
1 ea.	01 0000 0139	GM/FORD, Bottom Flange Flat Gasket (mounted inside tank).
8 ea.	02 0000 0162	3/8" Flat Push-On Retainers
1 ea.	01 0000 0110	GM/FORD, Viton "O" Ring Gasket
1 ea.	01 0000 0138	GM/FORD, Sending Unit Top Flange
8 ea.	02 0000 0163	3/8" Nylon Locking Nuts
1 ea.	99 0102 0000	Rollover vent, fill-stop valve

1 ea. 99 0000 0123 Kynar ¼" NPT Male Plug

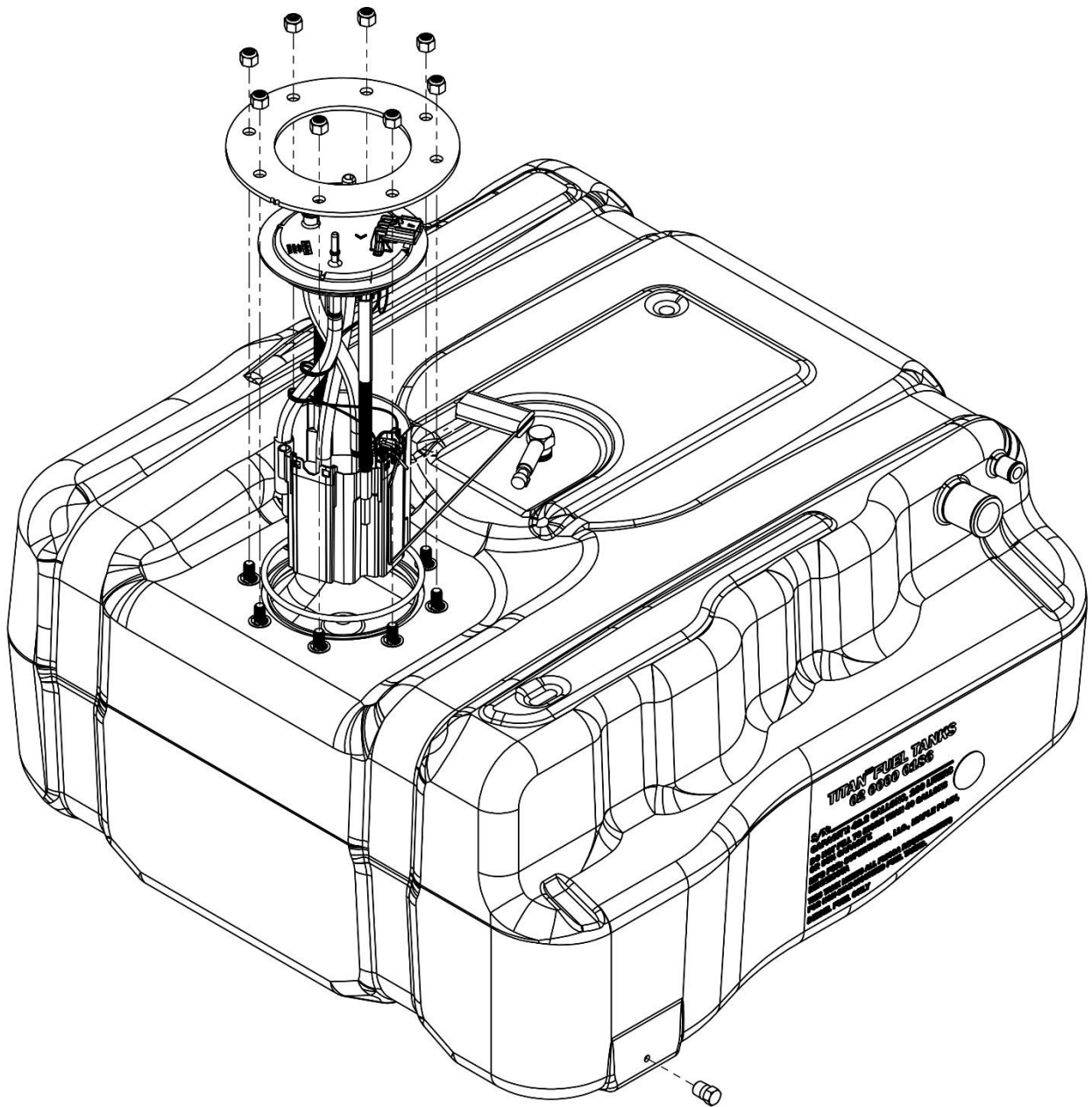
IMPORTANT NOTICE: Before installation, be sure to thoroughly inspect inside of the tank for ANY foreign debris!

I. Remove Original Equipment Tank

<u>Step</u>	<u>Description</u>
1	In a safe and approved manner, arrange the vehicle so that the stock tank is accessible and unobstructed.
2	Drain all the fuel from the original equipment (OEM) tank using a pump or siphon.
3	Remove the straps or brackets securing the tank and lower it just enough to access the sending unit lines and plugs.
4	Disconnect the sending unit.
5	Lower tank and remove the OEM tank from the vehicle.

II. Prepare Replacement Tank

<u>Step</u>	<u>Description</u>
6	Loosen the locking ring holding the sending unit into the OEM tank and carefully remove it.
7	Thoroughly clean the mounting plate of the sending unit removing all dirt and fuel residue.
8	The new TITAN fuel tank comes with the sending unit mounting hardware assembled. Remove the 3/8" Nylock nuts from the studs holding the top flange. Remove the top flange. You will see the "O" ring gasket in place under it. Leave the "O" ring gasket, studs, and retainers assembled as they are (See Fig. 2).
9	CHECK THE ½ FLANGES INSIDE THE TANK TO BE SURE THEY ARE SEATED FLAT AND <u>NOT</u> OVERLAPPING and have not shifted in shipment. Make sure the flat gasket is in place between the ½ flanges and the top inside surface of the tank.
10	Carefully place the sending unit into the new TITAN replacement tank. Make sure the "O" ring gasket is placed properly under the sending unit to seal correctly. Before installing the sending unit into the replacement tank, BE SURE THE INSIDE OF THE TANK IS FREE OF DIRT OR DEBRIS OF ANY KIND.

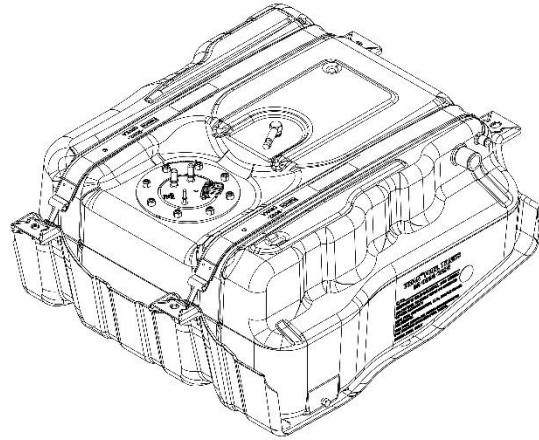


(Fig. 2) Exploded view of sending unit and proper part installation in TITAN 8020011 after-axle replacement tank.

- 11 Line the tab up on the top of the sending unit with the space marked "TAB LOCATION" on the top of the tank (See Fig. 3). Be sure sending unit is centered.
- 12 Place "Top Flange" on studs and atop centered sending unit. Replace the 3/8"



(Fig. 3) Line sending unit tab up with “TAB LOCATION” marks on tank.



(Fig. 4) Tank with sending unit and straps installed.

Nylon locking nuts and tighten down the flanges. **Tighten to 20 pound feet (lb-ft) of torque using torque wrench.** Be sure to tighten in a “star” pattern, starting with the four studs adjacent to where the ½ flanges meet, so as to prevent the flanges from overlapping, and to ensure all nuts are equally tightened and the “O” ring gasket is properly seated. Carefully “snug” the nuts equally before tightening to specification. After initially tightening to 20 pound feet (lb-ft), it is a required practice to check the torque again after at least 15 minutes or so.

III. Install Replacement Tank in Vehicle

Step	Description
13	Attach any bracketing or straps, reversing the procedure used to remove the OEM tank from the vehicle, and lift it into place. Reuse the standard factory mounting parts. Be sure to tighten all bolts and connections.
14	Fill fuel tank <u>completely</u> with diesel fuel and check for leaks.

* All capacities are approximate

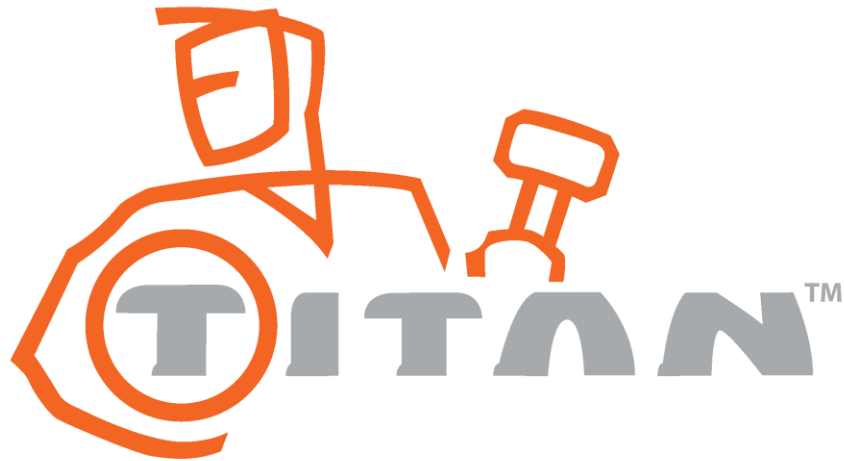
Be sure to return the completed warranty registration for your new Titan fuel tank; or you can register on-line at www.titanfueltanks.com

Write your tank’s Serial Number here: _____

A tank must be registered within sixty (60) days of receipt for the warranty to be valid.

Warranty is void if product is improperly installed.

For questions or customer service call (800) 728-4982



**P.O. Box 2225
Idaho Falls, ID 83403 USA
Telephone (800) 728-4982 FAX (208) 529-2162**

www.titanfueltanks.com

TITAN Fuel Tanks are PROUDLY MADE IN THE USA

Revised 1.31.17

©2017 Supertanks, LLC