

TITAN pt. no.: 99 0000 0380

TITAN™ Fuel Tanks
ASSEMBLY ILLUSTRATIONS
Fuel Caddy



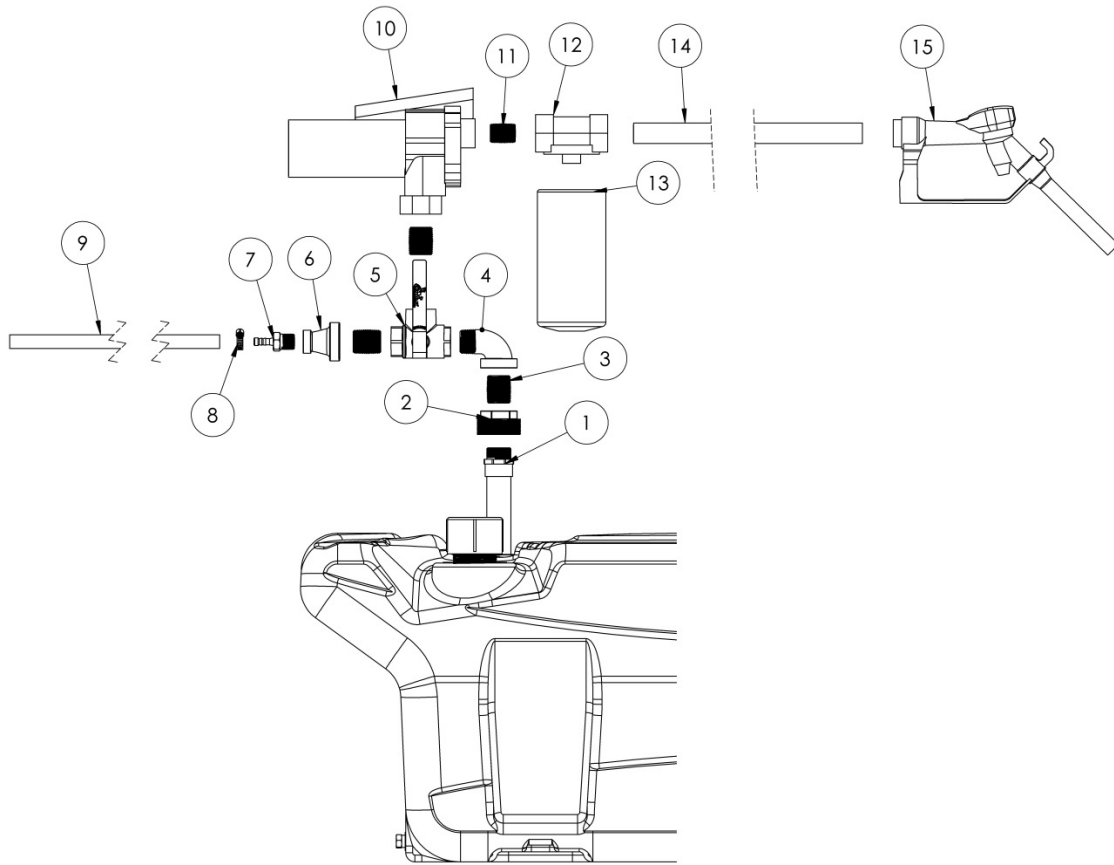
TITAN™ Shop Equipment

60 Gallon Fuel Caddy, 110 volt AC
60 Gallon Fuel Caddy, 12 volt DC

6000001
6000002

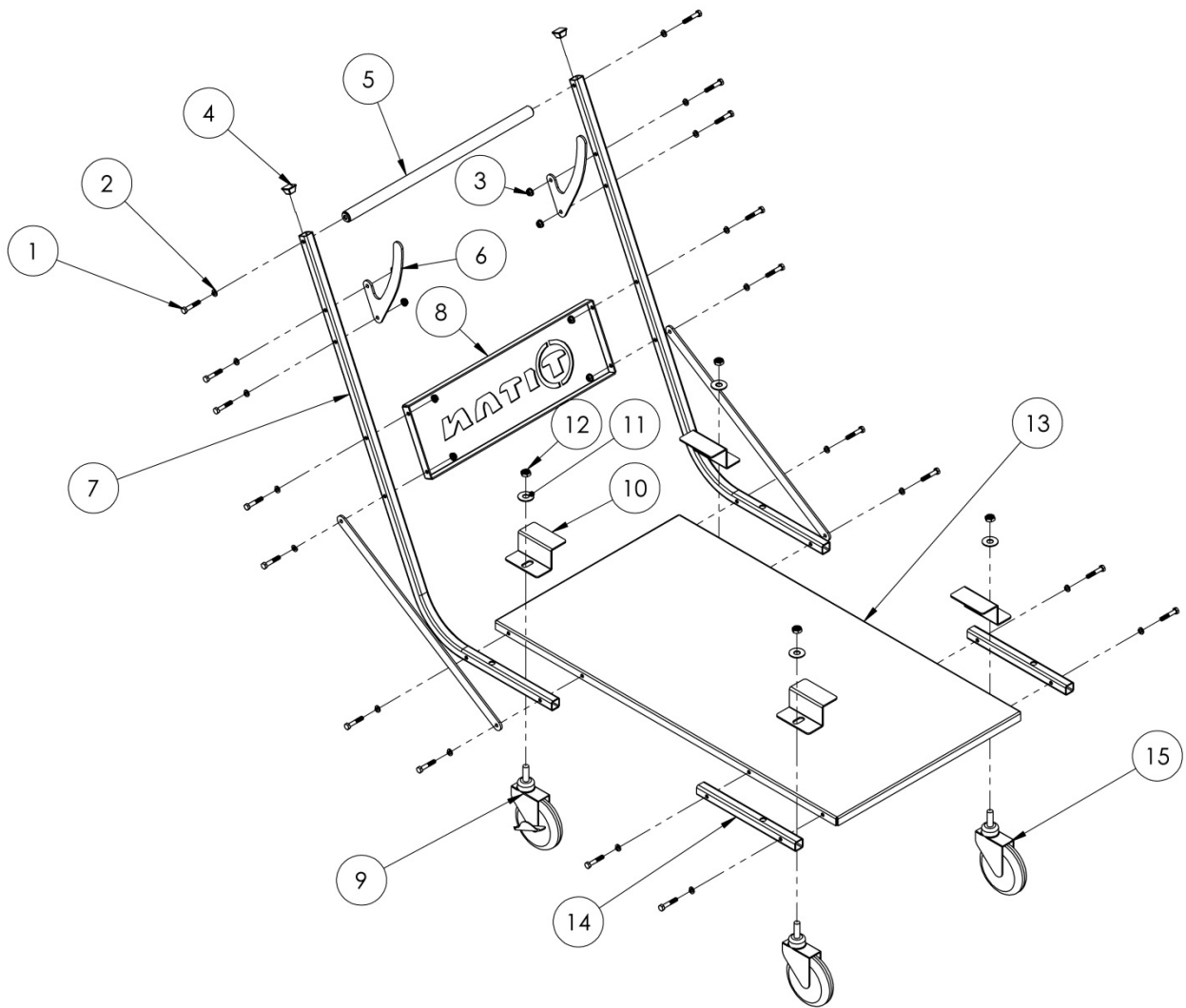
NOTE: For 6000001 110 volt AC Fuel Caddy, a local electrician will be required to provide and attach power cord due to local regulations.

Assemble the fuel caddy as per the diagrams shown below.



Plumbing Diagram

ITEM NUMBER	PART	QUANTITY
1	Pickup Tube	1
2	2" Threaded Tank Fitting	1
3	1" Pipe Nipple	3
4	1" Street Elbow	1
5	3-Way Ball Valve	1
6	Reducing Coupling	1
7	Pipe to Hose Adapter	1
8	Hose Clamp	1
9	3/8" Hose, 10 ft	1
10	Pump	1
11	3/4" Pipe Nipple	1
12	Filter Adapter	1
13	Water and Particulate Filter	1
14	3/4" Fuel Hose	1
15	Fuel Nozzle	1



Trolley Assembly

ITEM NUMBER	PART	QUANTITY
1	5/16"-18 Cap Screw	18
2	5/16" Lock Washer	18
3	5/16"-18 Flange Locknut	16
4	Square Tube Insert	2
5	Trolley Handle	1
6	Trolley Hanger Bracket	2
7	Trolley Strut	2
8	"TITAN" Rear Stiffener	1
9	Caster Wheel with Brake	2
10	Trolley Toe Clamps	4
11	1/2" Flat Washer	4

12	1/2"-13 Think Nylon Locknut	4
13	Trolley Baseplate	1
14	Trolley Front Caster Support	2
15	Caster Wheel	2

See instruction documents included with the pump and accessories.

Be sure to return the completed warranty registration for your new Titan™ Fuel Caddy; or you can register on-line at www.titanfueltanks.com

You will find your caddy tank's serial number located on the side of the tank.

Write your tank's Serial Number here: _____

A product must be registered within sixty (60) days of receipt for the warranty to be valid.

**Warranty is void if product is improperly assembled installed.
For questions or customer service call **(800) 728-4982****



TITAN™
P.O. Box 2225
Idaho Falls, ID 83403 USA
Telephone (208) 522-1325, FAX (208) 529-2162
www.titanfueltanks.com
TITAN Products are PROUDLY MADE IN THE USA
 Revised 4.26.13 ©2013 Supertanks, LLC