

# TITAN™ 90 Gallon, Hammerhead, L-Shape, Liquid Transfer Tank

## INSTALLATION GUIDE



**5014090** 90 Gallon (340 L.), Hammerhead, L-Shape, Liquid Transfer Tank

**5714090** 90 Gallon (340 L.), Hammerhead, L-Shape, Liquid Transfer Combo Tank, with Bright Diamond Aluminum Utility Box

**5814090** 90 Gallon (340 L.), Hammerhead, L-Shape, Liquid Transfer Combo Tank, with Black Diamond Aluminum Utility Box

See "Important Warning" below.

### Required Tools (for Tank Only):

- |  |                          |
|--|--------------------------|
| 1 ea. 1/2" Drill Bit                           | 1 ea. Center Punch       |
| 1 ea. 9/16" Socket and Ratchet Handle          | 1 ea. Hammer             |
| 1 ea. 9/16" End Wrench                         | 1 ea. 1 1/8" End Wrench  |
| 1 ea. Medium Phillips Screw Driver             | 1 ea. 7/8" End Wrench    |
| 1 ea. 11/16" End Wrench                        | 1 ea. Needle Nose Pliers |
| 1 ea. Teflon Tape or Thread Sealant Compound++ |                          |

**++Note:** Be sure sealant compound is compatible with the liquid to be stored in the tank.

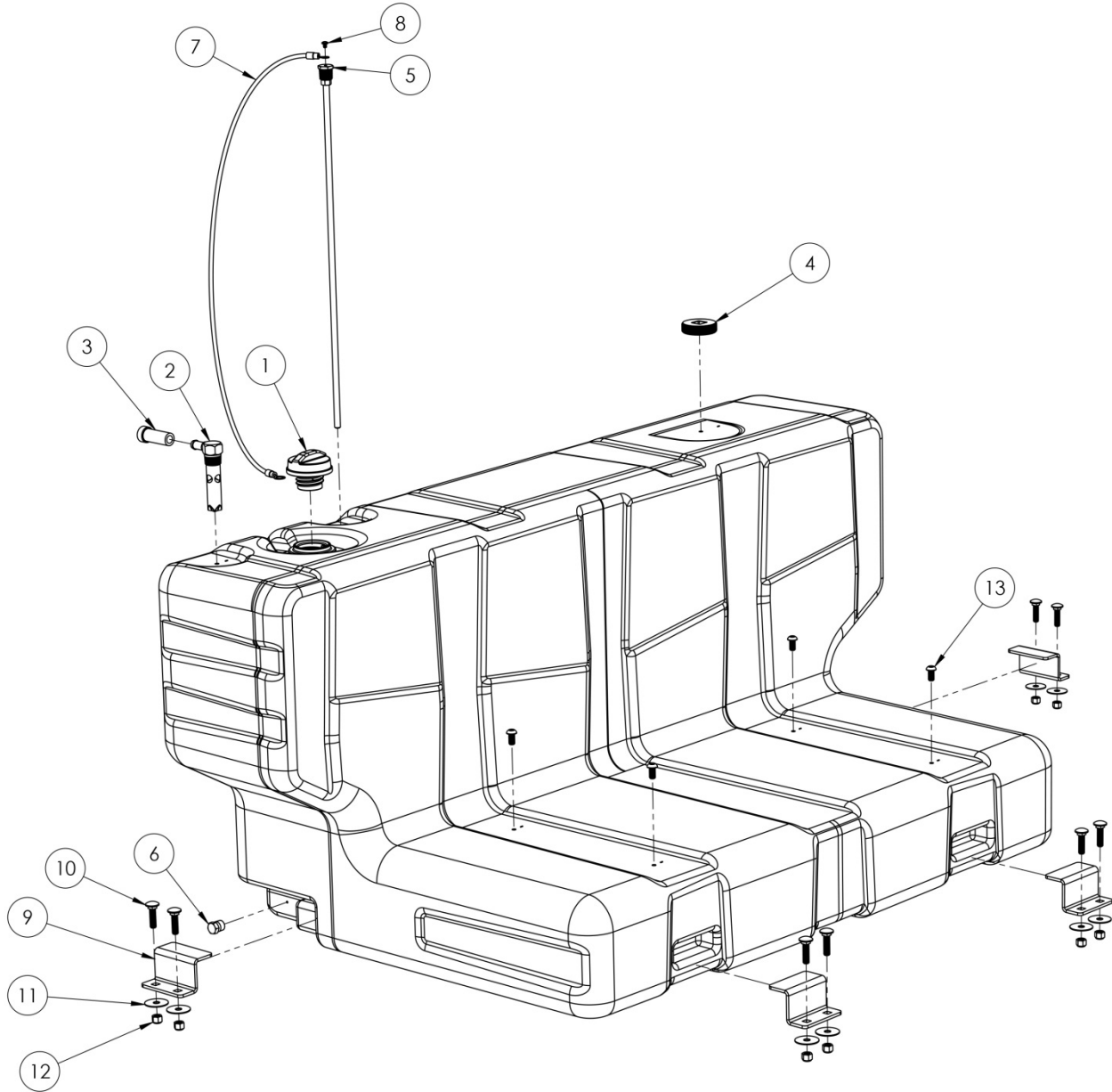
### Instructions for 5014090

1. Assemble items 1-6 (See diagram below) into tank body. Use thread sealant when assembling the rollover valve and grounding stud. Attach the vent cap and hose to the rollover valve after the valve has been installed.
2. Secure the tank body into vehicle using supplied mounting brackets and hardware. **Be sure to attach and run the grounding wire from the grounding stud to a mounting bolt. Be sure the tank is grounded to a steel part of the**

**vehicle chassis.** When carrying combustible liquids, tank must be vented and grounded at all times.

3. A transfer pump with 2" NPT thread may be installed in place of (Item 4) 2" NPT Plug. **Maximum allowable pump weight is 30 lbs.**

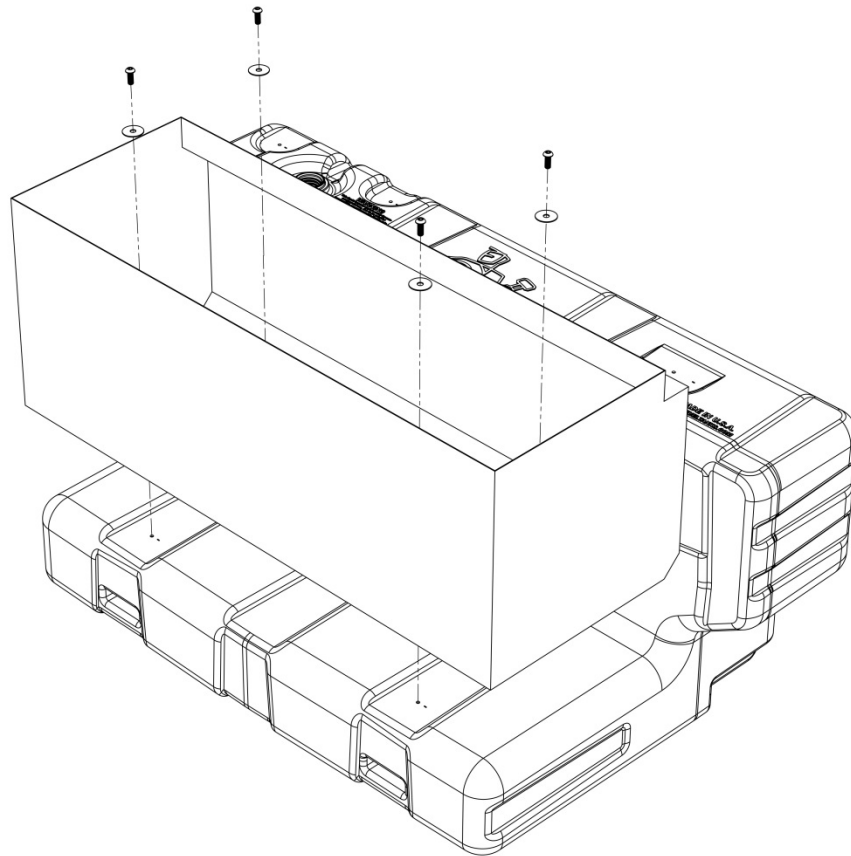
Parts Diagram, **5014090:**



ITEM	DESCRIPTION	QUANTITY
1	Locking Fuel Cap	1
2	Roll Over Valve	1
3	Vent Cap and Hose	1

4	2" NPT Plug	1
5	Grounding Stud	1
6	3/8" NPT Drain Plug	1
7	Grounding Wire	1
8	10-24 Machine Screw, 1/4" Length	1
9	Mounting Bracket	4
10	3/8"-16 Carriage Bolt, Grade 5 Zinc-Plated Steel	8
11	3/8" Large Diameter Flat Washer	8
12	3/8"-16 Nylon Locknut, Grade 5 Zinc-Plated Steel	8
13	3/8" -16 Socket-Head Cap Screws	4

**Assembly Illustration for Combination Utility Box Models 5714090 & 5814090**



***IMPORTANT WARNING:***

This liquid transfer tank is solely for non-commercial use. It is to be used for combustible or nonflammable liquids only, not for flammable liquids. It does not meet the requirements of Title 49 Code of Federal Regulations for the interstate transfer of

flammables, explosives and hazardous materials. It is not designed to be connected to a vehicle's fuel system. This tank may also be subject to individual state or province regulations, compliance with which is the responsibility of the owner. **When carrying combustible liquids, tank must be vented and grounded at all times.**

**Write your tank's Serial Number here:** \_\_\_\_\_

**This product must be registered within sixty (60) days of receipt for the warranty to be valid.**

**For questions or customer service call (800) 728-4982**



**P.O. Box 2225  
Idaho Falls, ID 83403 USA  
Telephone (800) 728-4982 FAX (208) 529-2162**

**[www.titanfueltanks.com](http://www.titanfueltanks.com)**

***TITAN Fuel Tanks are PROUDLY MADE IN THE USA***

Revised 11.12.14 ©2014 Supertanks, LLC

**TITAN pt. no.: 99 0000 0605**